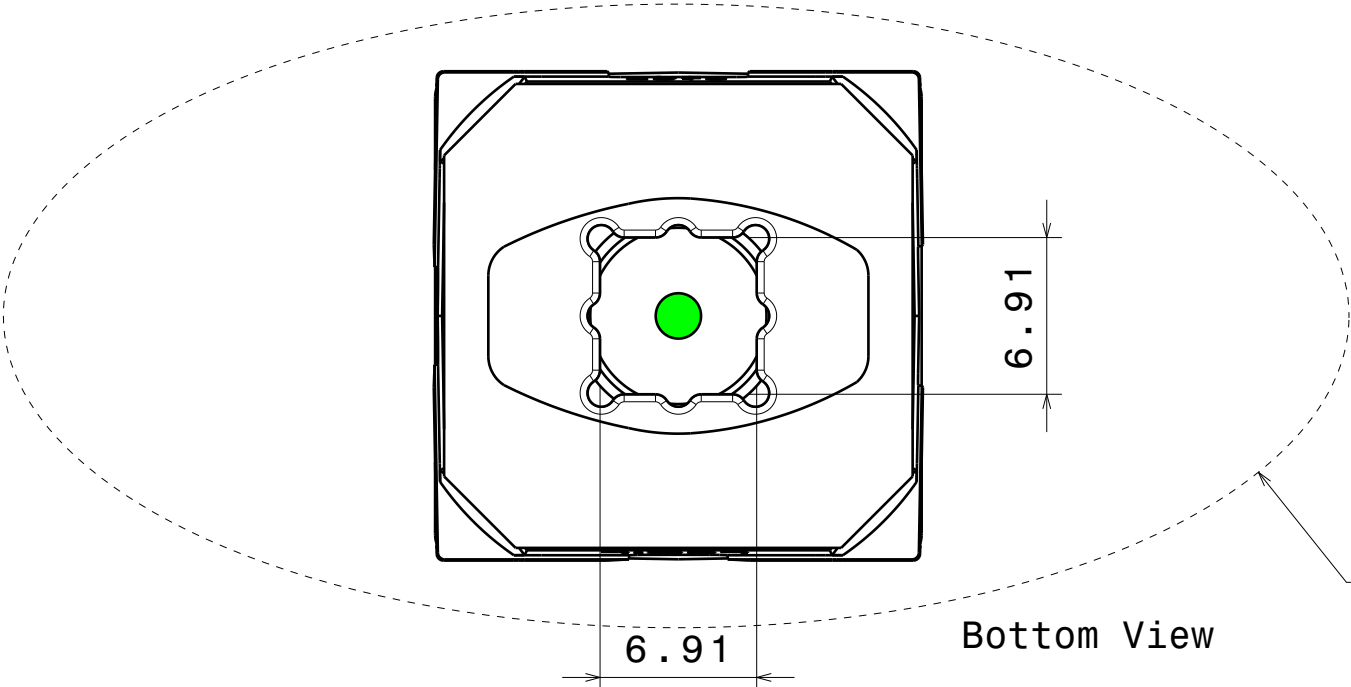
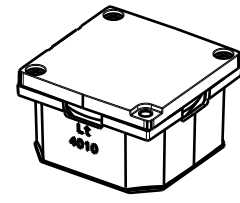


Front View

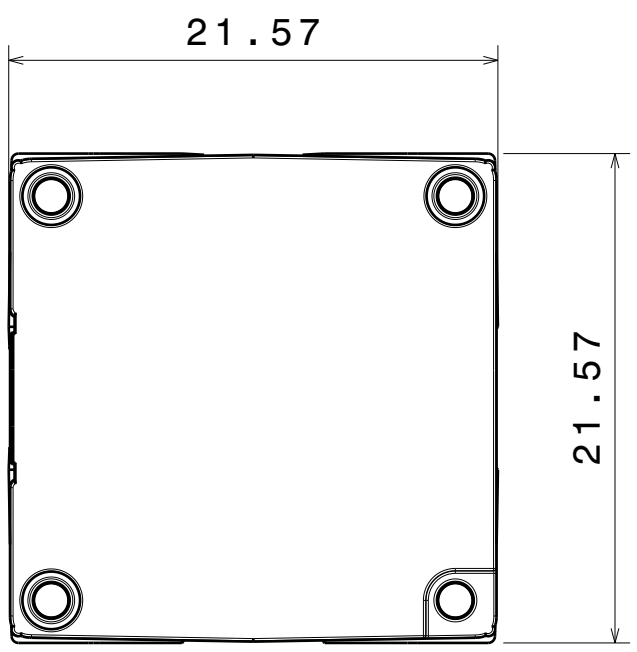


Bottom View



Isometric View  
Scale: 1:1

CA19501: Oval Direction



Top View

- CA19406\_ROSE-UV-G3-S
- CA19407\_ROSE-UV-G3-M
- CA19408\_ROSE-UV-G3-W
- CA19410\_ROSE-UV-G3-W2
- CA19411\_ROSE-UV-G3-M2
- CA19412\_ROSE-UV-G3-SS
- CA19501\_ROSE-UV-G3-0

**COMPONENTS**

INDEX	PART	TYPE	COUNT	MATERIAL	COLOR / COATING
1	C19196_ROSE-UV-G3-S C19197_ROSE-UV-G3-M C19198_ROSE-UV-G3-W C19287_ROSE-UV-G3-W2 C19337_ROSE-UV-G3-M2 C19338_ROSE-UV-G3-SS C18932_ROSE-UV-G3-0	LENS	1	Silicone	Clear
2	C14010_ROSE-LT-HLD-I-BLK	HOLDER	1	PC	Black
3	C15050_ROSE-TAPE	TAPE	1	Tape	

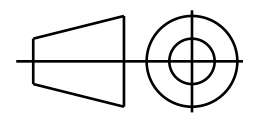
**MECHANICAL DRAWING**

PRODUCT  
**ROSE**



Plastic moulding general tolerances according to DIN 16901-130 and applies if not otherwise shown in the drawing.  
Silicone moulding general tolerances according to ISO 3302-1 Class M3 and applies if not otherwise shown in the drawing.

FIRST ANGLE PROJECTION:



This drawing is the property of LEDiL Oy. It may not be copied or otherwise distributed without prior written permission from LEDiL Oy.

SCALE 3:1

WEIGHT -

A3 SHEET 1/1

**Notes**

- PCB or heatsink level.
- LED location
- Ensure LED fitting from a product specific 3D model available from [www.ledil.com](http://www.ledil.com)
- For more details about installation please see LEDiL Installation Guide on [www.ledil.com](http://www.ledil.com)